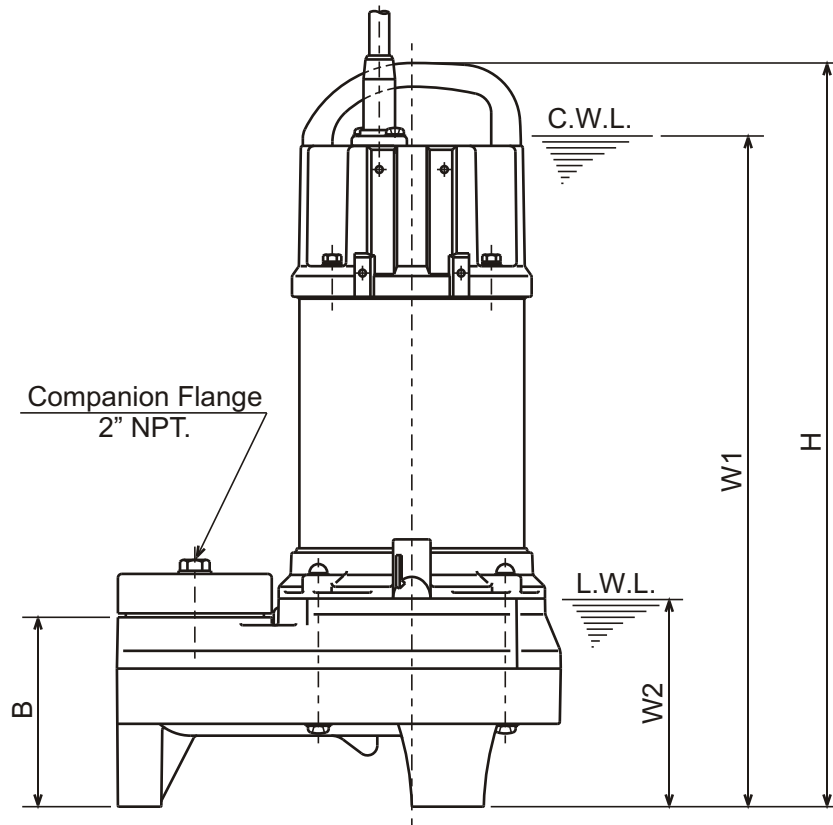
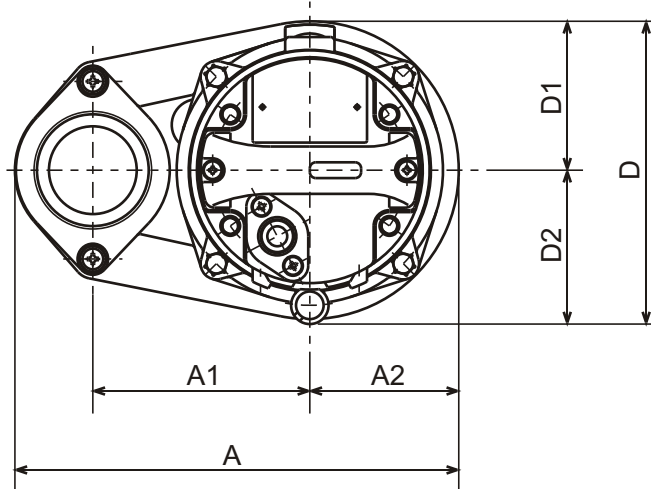




VANCS-SERIES - PU
(FRP) SEMI-VORTEX - SEWAGE & WASTEWATER PUMPS

DIMENSIONS

50PU2.15S-64



C.W.L. : Continuous running Water Level
 L.W.L. : Lowest running Water Level

DIMENSIONS:USCS (Inch)

Model	HP	NOM. SIZE	Pump & Motor								C.W.L.	L.W.L.	Wt.
			A	A1	A2	B	D	D1	D2	H	W1	W2	(lbs.)
50PU2.15S-64	1/5	2"	8 7/8	4 5/16	3	3 3/4	6 1/16	3	3 1/16	14 13/16	13 3/8	4 1/8	13.4

DIMENSIONS:METRIC (mm)

Model	kW	NOM. SIZE	Pump & Motor								C.W.L.	L.W.L.	Wt.
			A	A1	A2	B	D	D1	D2	H	W1	W2	(kg)
50PU2.15S-64	0.15	50	225	110	76	96	154	76	78	377	340	105	6.1

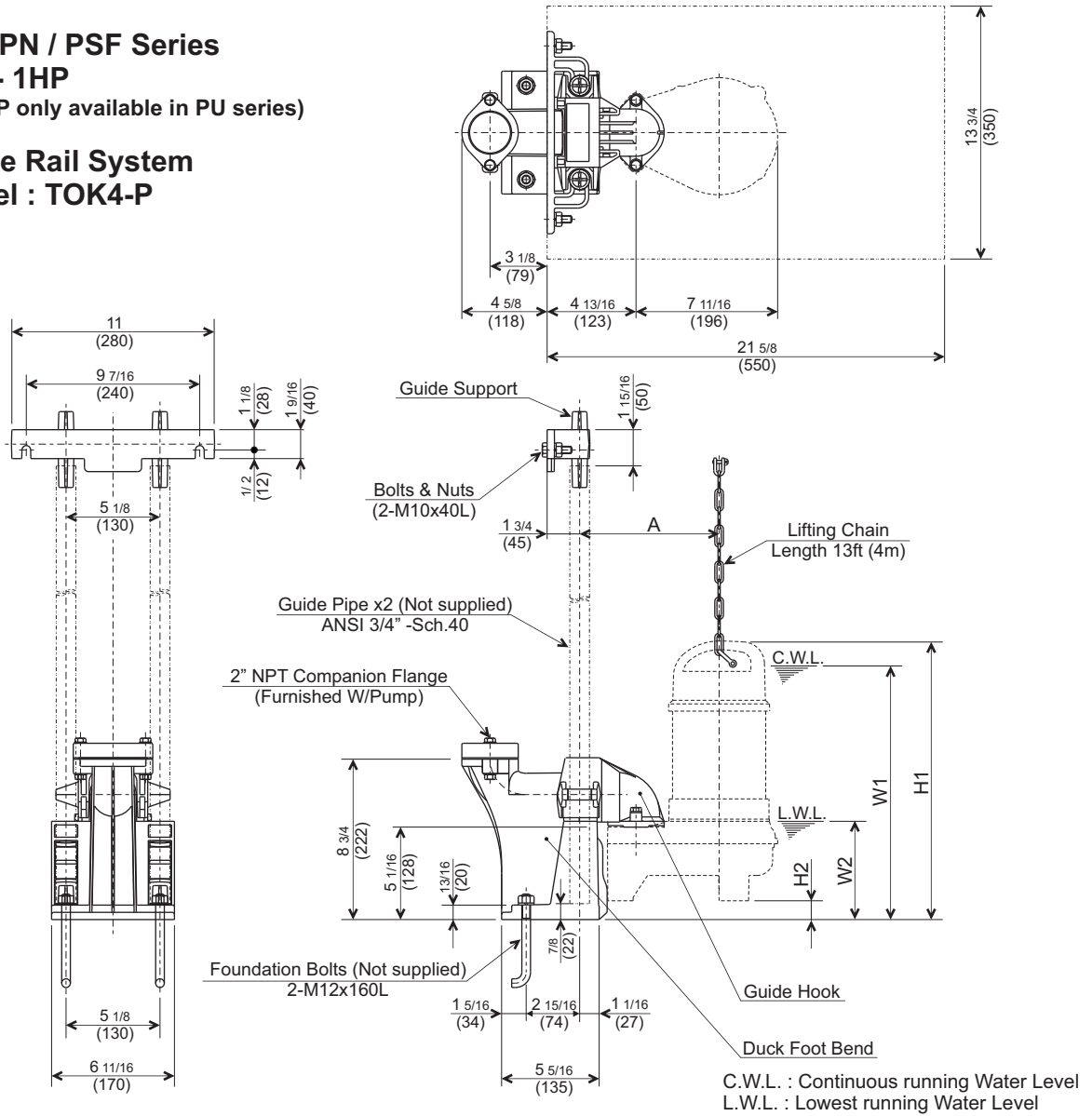


**VANCS-SERIES - PU / PN / PSF
WITH TOK GUIDE RAIL SYSTEM**

DIMENSIONS

PU / PN / PSF Series
***1/5 - 1HP**
(*1/5HP only available in PU series)

Guide Rail System
Model : TOK4-P



PU SERIES	Model	OUTPUT HP (kW)	NOM. SIZE inch (mm)	Dimension inch (mm)					Wt. lbs. (kg)
				H1	H2	C.W.L.		A	
						W1	W2		
	TOK50PU2.15S-64	1/5 (0.15)	2 (50)	16 1/8 (409)	1 1/4 (32)	14 5/8 (370)	5 3/8 (135)	7 3/8 (188)	14.3 (6.5)
	TOK50PU2.25S-63	1/3 (0.25)	2 (50)	15 3/16 (386)	1 (26)	13 3/4 (350)	5 3/8 (135)	7 5/8 (193)	16.5 (7.5)
	TOK50PU2.25-63	1/3 (0.25)	2 (50)	14 3/4 (375)	1 (26)	13 1/4 (335)	5 3/8 (135)	7 5/8 (193)	14.3 (6.5)
	TOK50PU2.4S-63	1/2 (0.4)	2 (50)	15 3/16 (386)	1 (26)	13 3/4 (350)	5 3/8 (135)	7 5/8 (193)	16.5 (7.5)
	TOK50PU2.4-63	1/2 (0.4)	2 (50)	15 3/16 (386)	1 (26)	13 3/4 (350)	5 3/8 (135)	7 5/8 (193)	16.3 (7.4)
	TOK50PU2.75S-63	1 (0.75)	2 (50)	16 (406)	1 (26)	14 5/8 (370)	5 3/8 (135)	7 5/8 (193)	20.5 (9.3)
	TOK50PU2.75-63	1 (0.75)	2 (50)	15 3/4 (400)	1 (26)	14 1/4 (360)	5 3/8 (135)	7 5/8 (193)	19.2 (8.7)

PN SERIES	Model	OUTPUT HP (kW)	NOM. SIZE inch (mm)	Dimension inch (mm)					Wt. lbs. (kg)
				H1	H2	C.W.L.		A	
						W1	W2		
	TOK50PN2.25S-63	1/3 (0.25)	2 (50)	15 3/16 (386)	1 (26)	13 3/4 (350)	5 3/8 (135)	7 5/8 (193)	16.5 (7.5)
	TOK50PN2.25-63	1/3 (0.25)	2 (50)	14 3/4 (375)	1 (26)	13 1/4 (335)	5 3/8 (135)	7 5/8 (193)	14.3 (6.5)
	TOK50PN2.4S-63	1/2 (0.4)	2 (50)	15 3/16 (386)	1 (26)	13 3/4 (350)	5 3/8 (135)	7 5/8 (193)	16.5 (7.5)
	TOK50PN2.4-63	1/2 (0.4)	2 (50)	15 3/16 (386)	1 (26)	13 3/4 (350)	5 3/8 (135)	7 5/8 (193)	16.3 (7.4)
	TOK50PN2.75S-63	1 (0.75)	2 (50)	16 (406)	1 (26)	14 5/8 (370)	5 3/8 (135)	7 5/8 (193)	20.5 (9.3)
	TOK50PN2.75-63	1 (0.75)	2 (50)	15 3/4 (400)	1 (26)	14 1/4 (360)	5 3/8 (135)	7 5/8 (193)	19.2 (8.7)

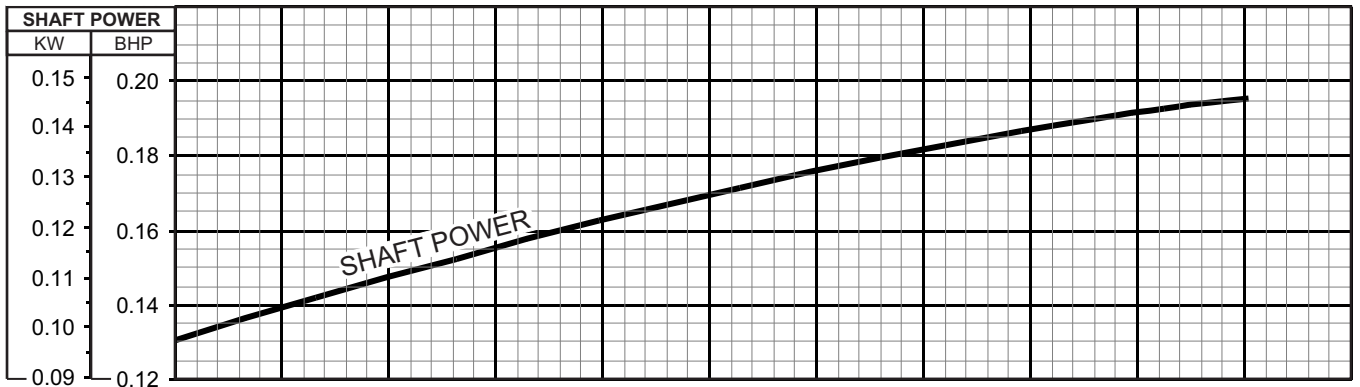
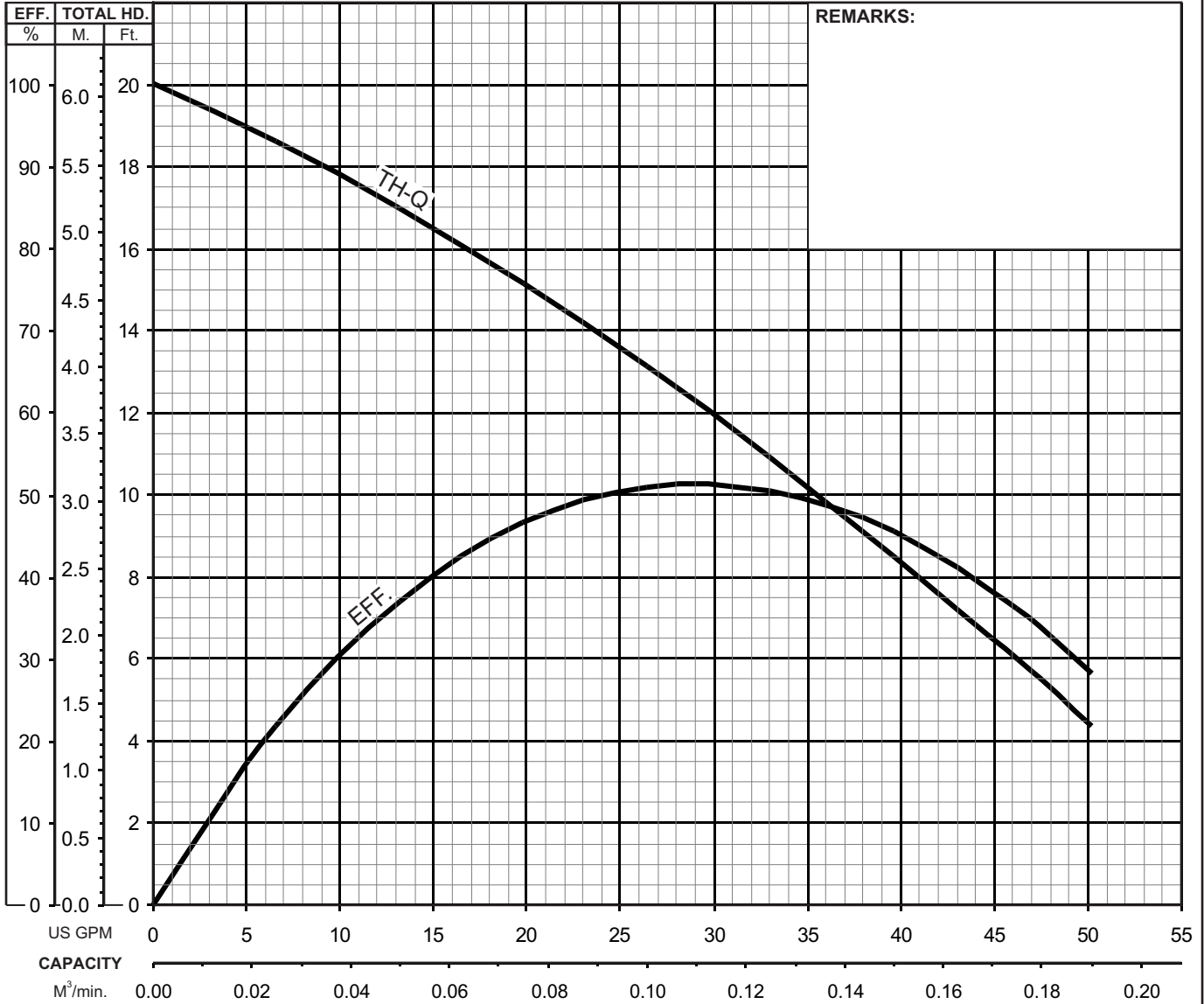
PSF SERIES	Model	OUTPUT HP (kW)	NOM. SIZE inch (mm)	Dimension inch (mm)					Wt. lbs. (kg)
				H1	H2	C.W.L.		A	
						W1	W2		
	TOK50PSF2.25S-63	1/3 (0.25)	2 (50)	15 3/16 (386)	1 (26)	13 3/4 (350)	5 3/8 (135)	7 5/8 (193)	17.0 (7.7)
	TOK50PSF2.25-63	1/3 (0.25)	2 (50)	14 3/4 (375)	1 (26)	13 1/4 (335)	5 3/8 (135)	7 5/8 (193)	14.6 (6.6)
	TOK50PSF2.4S-63	1/2 (0.4)	2 (50)	15 3/16 (386)	1 (26)	13 3/4 (350)	5 3/8 (135)	7 5/8 (193)	17.0 (7.7)
	TOK50PSF2.4-63	1/2 (0.4)	2 (50)	15 3/16 (386)	1 (26)	13 3/4 (350)	5 3/8 (135)	7 5/8 (193)	16.5 (7.5)
	TOK50PSF2.75S-63	1 (0.75)	2 (50)	16 (406)	1 (26)	14 5/8 (370)	5 3/8 (135)	7 5/8 (193)	20.7 (9.4)
	TOK50PSF2.75-63	1 (0.75)	2 (50)	15 3/4 (400)	1 (26)	14 1/4 (360)	5 3/8 (135)	7 5/8 (193)	19.4 (8.8)



VANCS - SERIES - PU
(FRP) SEMI-VORTEX - SEWAGE & WASTEWATER PUMPS

PERFORMANCE
CURVE

MODEL	BORE	HP	KW	RPM	SOLIDS DIA	LIQUID	SG.	VISCOSITY	TEMP.
50PU(A/W)2.15S-64, 50PUF2.15S-63	2"/50mm	0.20	0.15	3430	1.38"/35mm	Water	1.0	1.123 cSt	60°F
PUMP TYPE	PHASE	VOLTAGE		AMPERAGE		HZ	STARTING METHOD		INS. CLASS
Semi-Vortex - Sewage & Wastewater	Single	115 / 120 / 230		3.2 / 3.1 / 1.6		60	Capacitor-Start		E
CURVE No.	DATE	PHASE	VOLTAGE	AMPERAGE	HZ	STARTING METHOD		INS. CLASS	
-	-	-	-	-	-	-		-	

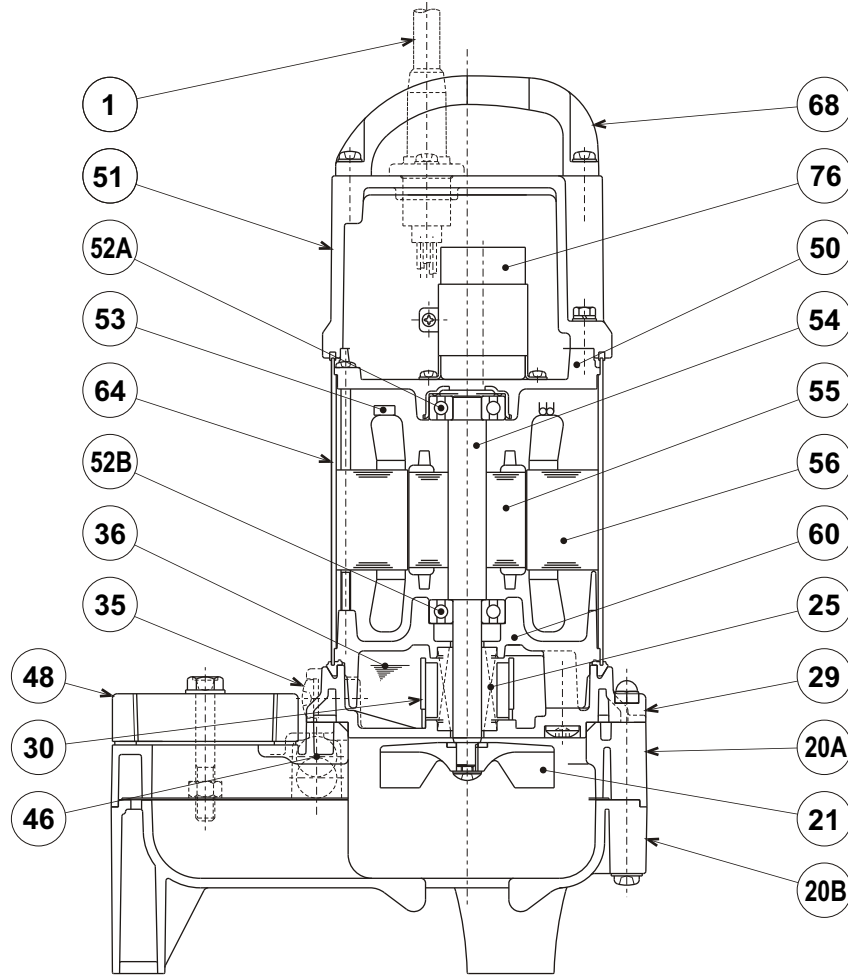




VANCS - SERIES - PU
(FRP) SEMI-VORTEX - SEWAGE & WASTEWATER PUMPS

SECTIONAL VIEW

50PU2.15S-64



PART#	DESCRIPTION	MAIN MATERIAL / NOTE	RELATED ASTM, AISI CODE	RELATED EN CODE	QTY
1	Power Cable	PVC Sheath AWG16/3-20ft			1
20A	Upper Pump Casing	ABS Plastic w/GF10			1
20B	Lower Pump Casing	ABS Plastic			1
21	Impeller	PPO Plastic w/GF30			1
25	Mechanical Seal	Silicon Carbide / D-12RC			1
29	Oil Casing	PPS Plastic w/GF40			1
30	Oil Lifter	PBT Plastic w/GF40			1
35	Oil Plug	Stainless Steel	S 30400	1.4301	1
36	Lubricant	White Mineral Oil ISO VG32			
46	Air Valve	Glass Ball			1
48	Companion Flange	PBT Plastic w/GF30 / NPT 2"			1
50	Motor Bracket	Aluminum Alloy Die Casting	B85 383.0	EN1706 AC-46100	1
51	Motor Head Cover	PPS Plastic w/GF40			1
52A	Upper Bearing	#6201ZZC3			1
52B	Lower Bearing	#6201ZZC3			1
53	Motor Protector				1
54	Shaft	Stainless Steel	S 42000	1.4028	1
55	Rotor				1
56	Stator				1
60	Bearing Housing	Aluminum Alloy Die Casting	B85 383.0	EN1706 AC-46100	1
64	Motor Housing	Stainless Steel	S 30400	1.4301	1
68	Handle	ABS Plastic			1
76	Capacitor				1

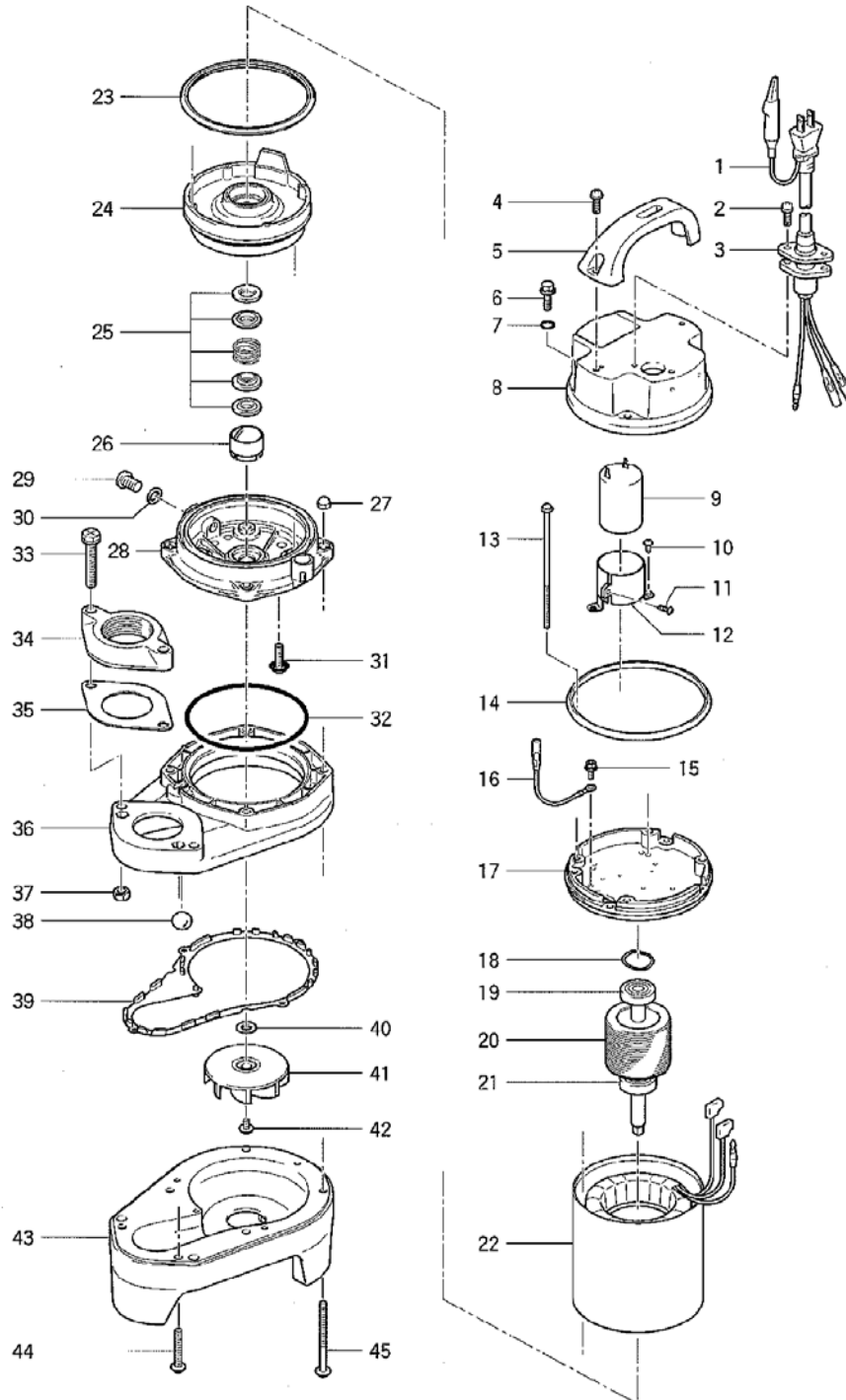
PARTS LIST		VANCS SEWAGE & WASTEWATER PUMP			3/1/2017	
ITEM	PART No.	DESCRIPTION	QTY	SIZE	MATERIAL	NOTES
1	001-943-36	Cabtyre Cable Set (20') 120V-60Hz(USA)	1	STOW3x1.25mm2 (16AWG)	LB	
	001-004-33	Cabtyre Cable Set (20') 230V-60Hz(USA)	1	STOW3x1.25mm2 (16AWG)	LB	
2	143-000-33	Hex.Tapping Screw	2	M5x20	SUS304	
3	003-190-10	Gland	1		SUS316	
4	143-146-18	Tapping Screw (w/Plain Washer)	2	M5x20	SUS304	
5	068-000-18	Handle	1		Resin	
6	140-000-34	Hex.Bolt (w/Spring/Plain Washer)	4	M5x25(14L)	SUS304	
7	122-003-17	O-Ring	4	P-5(4.8xd1.9)	NBR	*
8	051-000-13	Motor Head Cover	1		Resin	
9	076-000-55	Capacitor 120V-60Hz(USA)	1	28MF-220VAC		interchangable with OLD part# 076-000-24
	076-000-55	Capacitor 230V-60Hz(USA)	1	28MF-220VAC		interchangable with OLD part# 076-000-24
10	143-086-22	Pan Screw (w/Spring Washer)	2	M4x8	SWRM	
11	143-000-22	Tapping Screw	1	M3x10	SWCH	
12	127-000-24	Capacitor Fixing Plate	1		SPCC	
13	143-000-21	Pan Screw	4	M4x115(30L)	SS	
14	121-001-06	Packing	1	d110.5xd115.5x4.5t	NBR	*
15	140-452-11	Hex.Bolt (w/Spring/Plain Washer)	1	M4x8	C3604	
16	009-000-47	Earth Terminal	1Set	1.25mm2x200L		
17	050-000-32	Motor Bracket	1		ADC	
18	142-388-11	Wave Washer	2	6201(D=30.6)	S65CM	
19	052-100-15	Bearing	1	6201ZZC3		
20	055-002-17	Rotor	1Set	w/Bearing		
21	052-100-15	Bearing	1	6201ZZC3		
22	056-002-22	Stator (w/M.Frame)120V-60Hz(USA)	1Set	w/Miniature Protector		
	056-002-24	Stator (w/M.Frame)230V-60Hz(USA)	1Set	w/Miniature Protector		
23	121-001-11	Packing	1	40PU2.15-52/62	NBR	*
24	060-001-18	Bearing Housing	1		ADC	
25	025-000-42	Mechanical Seal	1	D-12RC	SSIC	
26	030-000-08	Oil Lifter	1	D-12B	Resin	
27	141-029-18	Hex.Cap Nut	4	M6	SUS304	
28	029-000-42	Oil Casing	1	40PU2.15-52/62	Resin	
29	035-127-15	Oil Plug	1	M10x15	SUS304	
30	121-246-11	Packing	1	d10.3xd16x2t	PE	*
31	143-000-26	Truss Screw (w/O-Ring)	4	M6x20(P-5,NBR)	SUS304	*
32	122-131-15	O-Ring	1	G-100(99.4xd3.1)	NBR	*
33	140-436-19	Hex.Bolt (w/Plain Washer)	2	M8x55	SUS304	
34	048-274-18	Screwed Flange	1	NPT-2(P.C.90)	Resin	
35	121-469-12	Packing	1	P.C.90xd58x2t	NR	*

PARTS LIST		VANCS SEWAGE & WASTEWATER PUMP				3/1/2017
ITEM	PART No.	DESCRIPTION	QTY	SIZE	MATERIAL	NOTES
36	020-001-34	Pump Casing (Upper)	1	2-PU	Resin	
37	141-121-11	Hex.Nut	2	M8(B=12)	SUS304	
38	203-065-11	Valve	1	d17	Glass	
39	121-530-15	Packing	1	2-PU	NBR	*
40	040-139-16	Impeller Washer	1	d9.2xd17x2t	SUS304	
41	021-G43-19	Impeller (60Hz)	1	40PU2.15S-64	Resin	
41	021-G42-18	Impeller (50Hz) OPTION	1	40PU2.15S-54	Resin	50Hz OPTION
42	143-173-14	Truss Screw (w/Plain Washer)	1	M5x10	SUS304	
43	020-002-24	Pump Casing (Lower)	1	2-PU	Resin	
44	143-147-19	Pan Screw (w/Plain Washer)	2	M6x40	SUS304	
45	143-141-13	Pan Screw (w/Plain Washer)	4	M6x80	SUS304	
	173-000-76	Packing O-Ring Set	1Set	(Marked by *)		
7	122-003-17	O-Ring (Head Cover Fixing Screw)	4	P-5(4.8xd1.9)	NBR	*
14	121-001-06	Packing (Head Cover/M.Frame)	1	d110.5xd115.5x4.5t	NBR	*
23	121-001-11	Packing (M.Frame/O.Casing)	1	40PU2.15-52/62	NBR	*
30	121-246-11	Packing (Oil Plug)	1	d10.3xd16x2t	PE	*
31	122-003-17	O-Ring (P.Casing Bolt)	4	P-5(4.8xd1.9)	NBR	*
32	122-131-15	O-Ring (O.Casing/Upp. P.Casing)	1	G-100(99.4xd3.1)	NBR	*
35	121-469-12	Packing (Screwed Flange)	1	P.C.90xd58x2t	NR	*
39	121-530-15	Packing (Upp./Low. P.Casing)	1	2-PU	NBR	*
		Lubricant		Liquid Paraffin VG32 150ml		

PARTS LIST		VANCS SEWAGE & WASTEWATER PUMP				3/1/2017
ITEM	PART No.	DESCRIPTION	QTY	SIZE	MATERIAL	NOTES

EXPLODED VIEW

40PU2. 15S-54/64
50PU2. 15S-54/64



C-00707-1